



CATALOGUE CRYSTAL LAMPS ACCESSORIES

**COLD METAL STAMPING AND DEEP DRAWING
MOULD AND DIE CONSTRUCTION
CNC PUNCHING, BENDING AND LASER CUTTING**



MATRICES Y GRABADOS, S.L.

Polígono Industrial Sepes - C/ Ganadería, parcela 35

Tel. +34 974 591 579

Mob. +34 636 268 349

Fax +34 974 225 626

22006 HUESCA (SPAIN)

www.maygra.com

comercial@maygra.com

- CONTENTS -

SMALL "BOW TIE" CLIPS	3
MEDIUM "BOW TIE" CLIPS	3
LARGE "BOW TIE" CLIPS	4
"BOW TIE" CLIPS	4
"ARROW" CLIPS	5
"K" CLIPS	5
"DIAMOND" CLIPS	6
WIRE CLIPS	6
PINS	7
LOOPS	7
LYS FLOWER	8
LOOP PLATE LAMP	8
GENERAL TERMS OF SALE	9

FINISHES

ALL PIECES OF THE CATALOGUE CAN
BE SUPPLIED IN THE FOLLOWING
FINISHES:

- ➔ 24 CARAT GOLD
- ➔ SILVER
- ➔ NICKEL
- ➔ GOLD COLORED



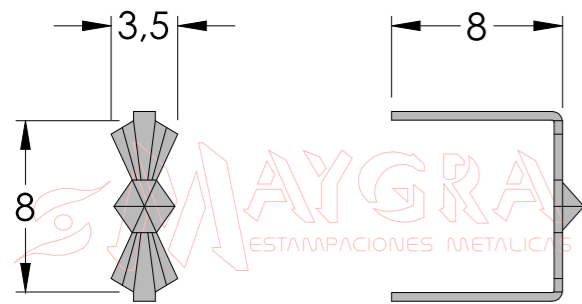
IN THE CATALOGUE,
ALL DIMENSIONS ARE GIVEN
IN MILLIMETERS



SMALL "BOW TIE" CLIPS

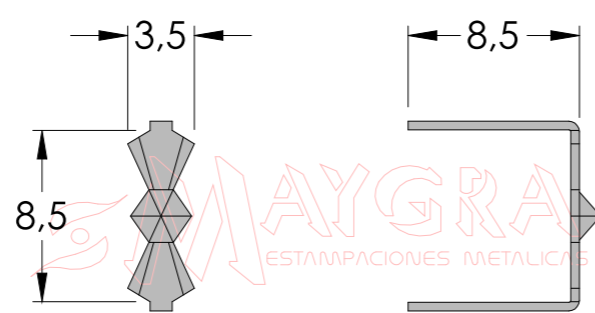
CODE: 602

REGULAR SMALL CLIP
8 x 8 x 8 x 3,5



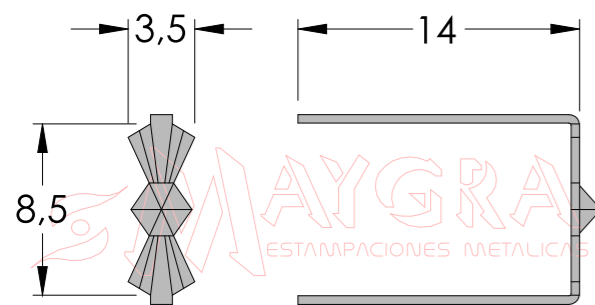
CODE: 502

SPECIAL SMALL CLIP
8,5 x 8,5 x 8,5 x 3,5



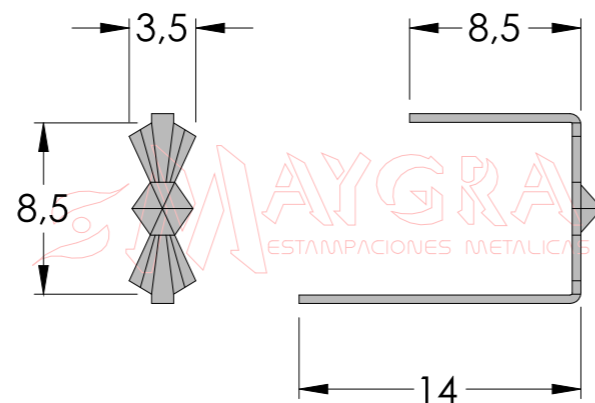
CODE: 510

SMALL CLIP WITH
LONG PRONGS
14 x 8,5 x 14 x 3,5



CODE: 515

SMALL CLIP WITH
ONE PRONG LONGER
8,5 x 8,5 x 14 x 3,5

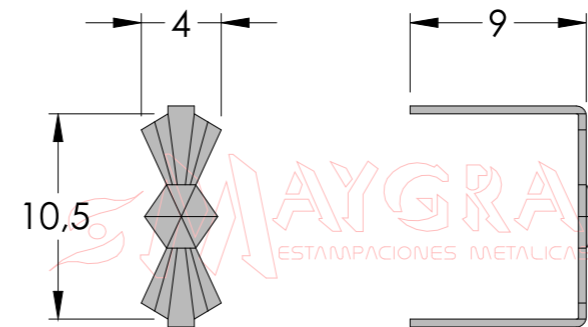


MATERIAL: STEEL **THICKNESS:** 0,4 mm
UPON REQUEST, WE CAN MAKE THE PIECES IN BRASS.

MEDIUM "BOW TIE" CLIPS

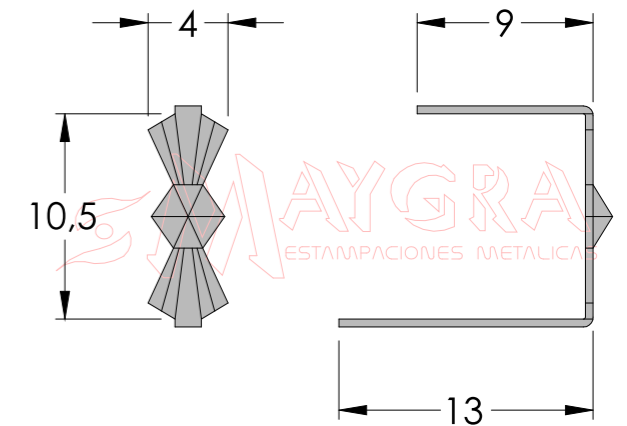
CODE: 544

REGULAR MEDIUM CLIP
9 x 10,5 x 9 x 4



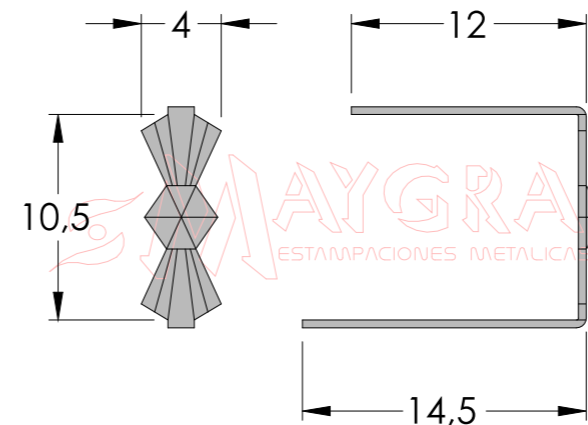
CODE: 545

REGULAR MEDIUM CLIP WITH
ONE PRONG LONGER
9 x 10,5 x 13 x 4



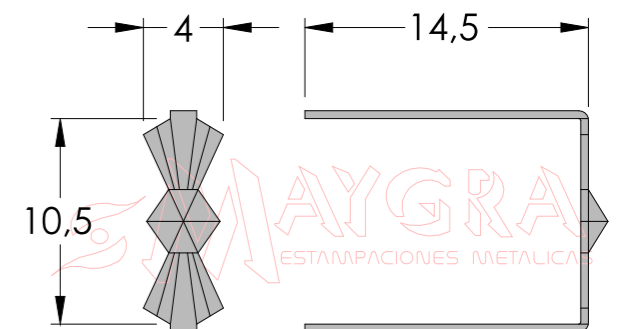
CODE: 549

REGULAR MEDIUM CLIP WITH
ONE PRONG LONGER
12 x 10,5 x 14,5 x 4



CODE: 547

REGULAR MEDIUM CLIP WITH
LONG PRONGS
14,5 x 10,5 x 14,5 x 4

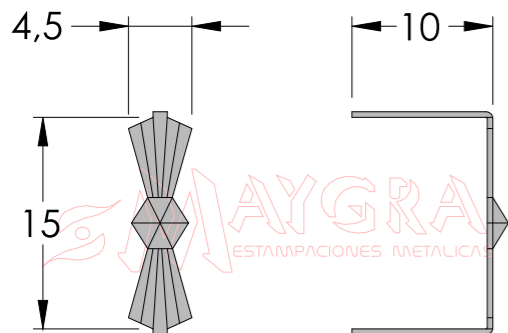


MATERIAL: STEEL **THICKNESS:** 0,4 mm
UPON REQUEST, WE CAN MAKE THE PIECES IN BRASS.

LARGE "BOW TIE" CLIPS

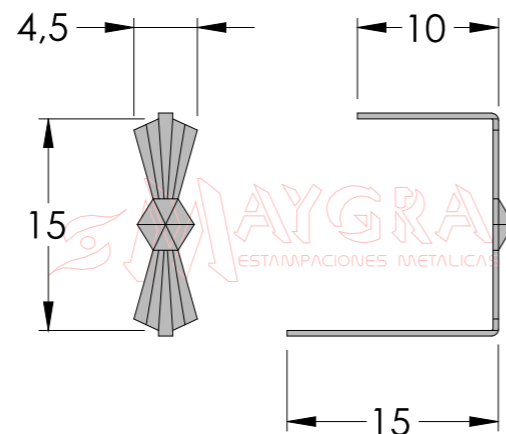
CODE: 501

REGULAR LARGE CLIP
10 x 15 x 10 x 4,5



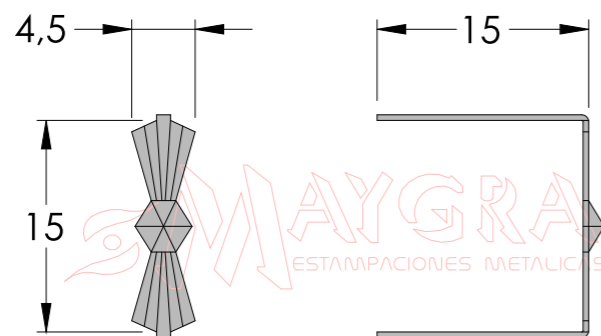
CODE: 546

REGULAR LARGE CLIP WITH
ONE PRONG LONGER
10 x 15 x 15 x 4,5



CODE: 516

REGULAR LARGE CLIP WITH LONG PRONGS
15 x 15 x 15 x 4,5

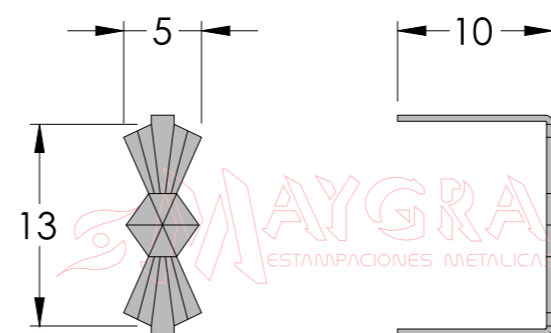


MATERIAL: STEEL **THICKNESS:** 0,4 mm
UPON REQUEST, WE CAN MAKE THE PIECES IN BRASS.

"BOW TIE" CLIPS

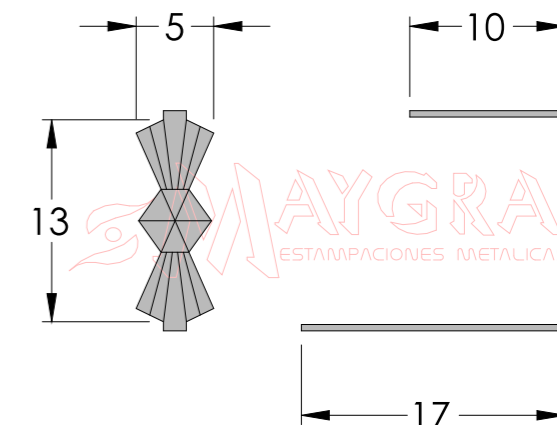
CODE: 601

REGULAR CLIP
10 x 13 x 10 x 5



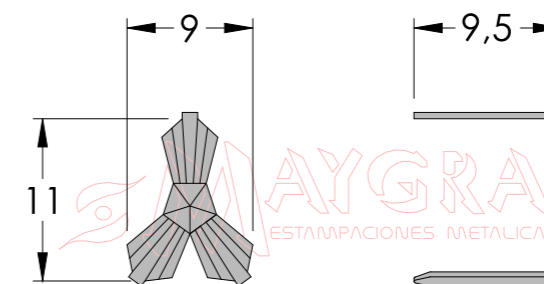
CODE: 646

REGULAR CLIP WITH
ONE PRONG LONGER
10 x 13 x 17 x 5



CODE: 540

THREE PRONG CLIP
9,5 x 11 x 9,5 x 9

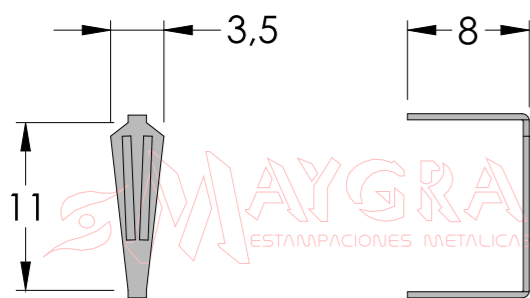


MATERIAL: STEEL **THICKNESS:** 0,4 mm
UPON REQUEST, WE CAN MAKE THE PIECES IN BRASS.

“ARROW” CLIPS

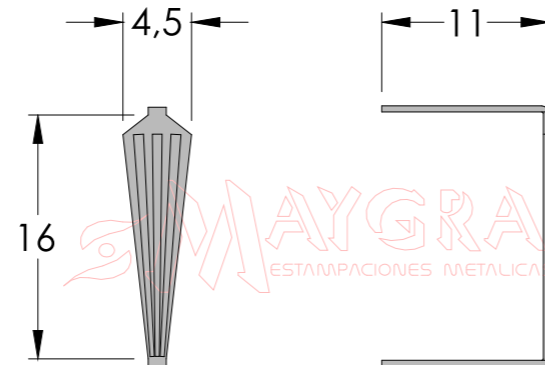
CODE: 504

SMALL ARROW CLIP
8 x 11 x 8 x 3,5



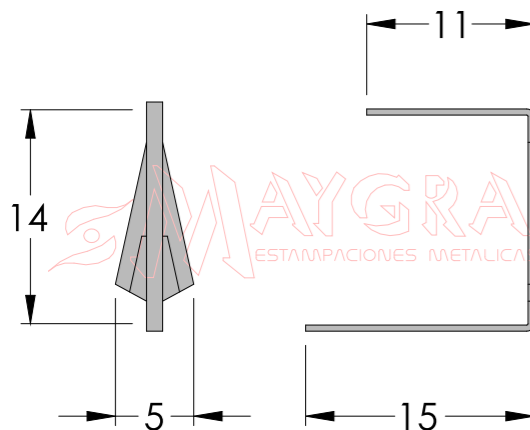
CODE: 517

LARGE ARROW CLIP
11 x 16 x 11 x 4,5



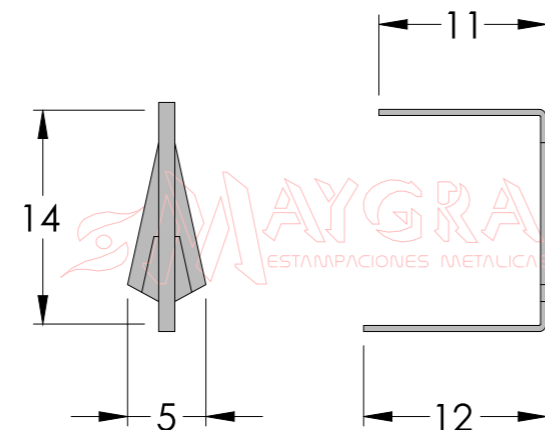
CODE: 617

ARROW CLIP WITH ONE PRONG LONGER
11 x 14 x 15 x 5



CODE: 612

ARROW CLIP WITH ONE PRONG LONGER
11 x 14 x 12 x 5

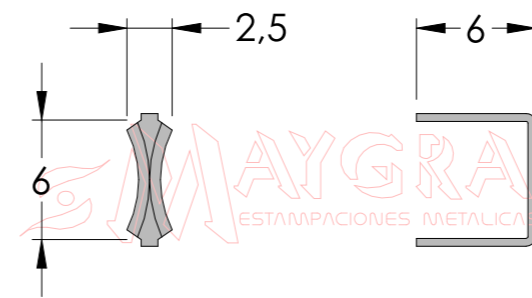


MATERIAL: STEEL **THICKNESS:** 0,4 mm
UPON REQUEST, WE CAN MAKE THE PIECES IN BRASS.

“K” CLIPS

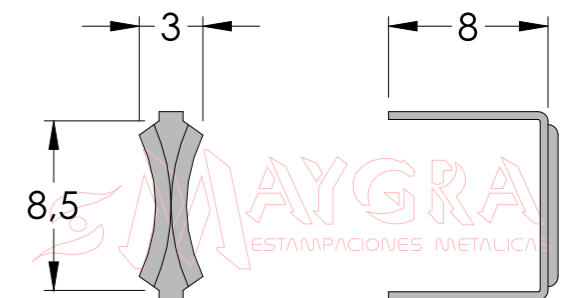
CODE: 503

MINI CLIP
6 x 6 x 6 x 2,5



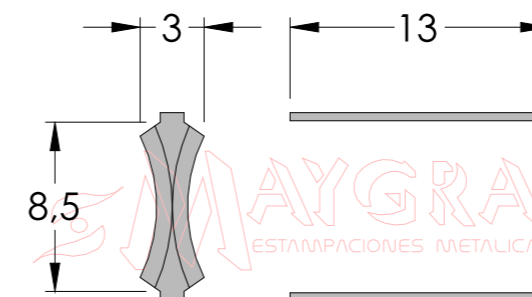
CODE: 505

REGULAR CLIP
8 x 8,5 x 8 x 3



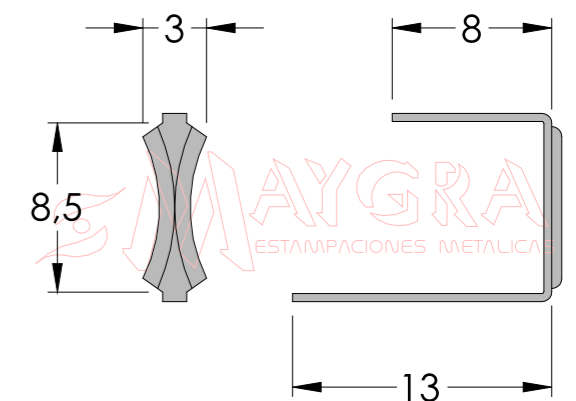
CODE: 506

SMALL CLIP WITH LONG PRONGS
13 x 8,5 x 13 x 3



CODE: 507

SMALL CLIP WITH ONE PRONG LONGER
8 x 8,5 x 13 x 3

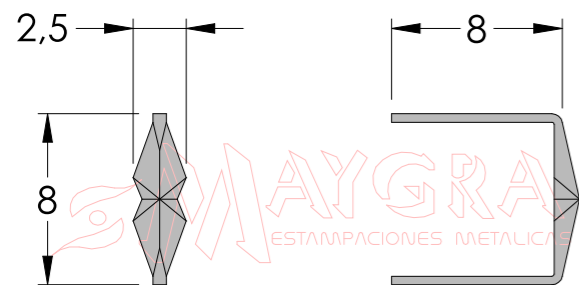


MATERIAL: STEEL **THICKNESS:** 0,4 mm
UPON REQUEST, WE CAN MAKE THE PIECES IN BRASS.

“DIAMOND” CLIPS

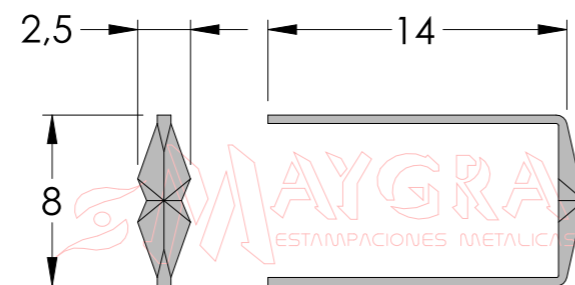
CODE: 402

REGULAR SMALL CLIP
8 x 8 x 8 x 2,5



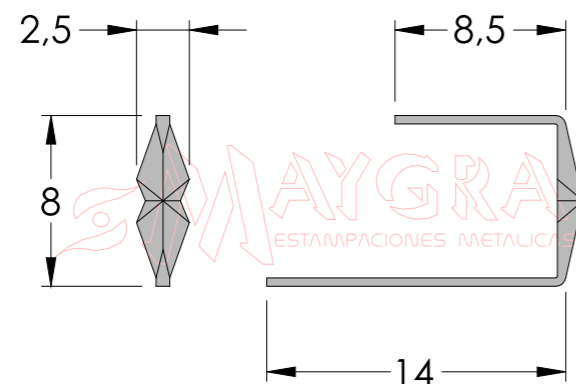
CODE: 410

SMALL CLIP WITH LONG PRONGS
14 x 8 x 14 x 2,5



CODE: 415

SMALL CLIP WITH ONE PRONG LONGER
8,5 x 8 x 14 x 2,5

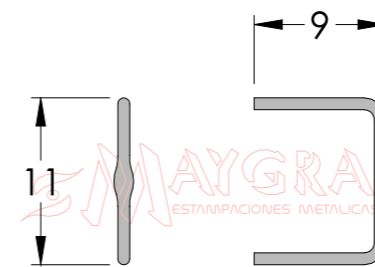


MATERIAL: STEEL **THICKNESS:** 0,4 mm
UPON REQUEST, WE CAN MAKE THE PIECES IN BRASS.

WIRE CLIPS

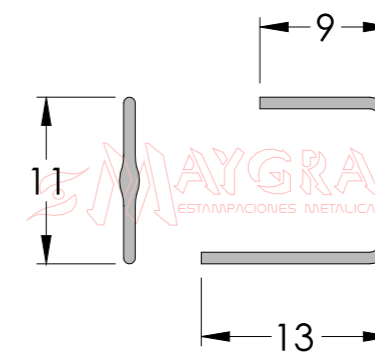
CODE: 802

SMALL WIRE CLIP
9 x 11 x 9 x 0,8



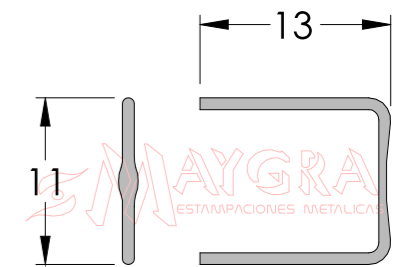
CODE: 815

SMALL WIRE CLIP WITH ONE PRONG LONGER
9 x 11 x 13 x 0,8



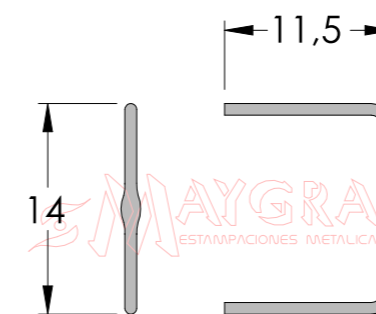
CODE: 810

SMALL WIRE CLIP WITH LONG PRONGS
13 x 11 x 13 x 0,8



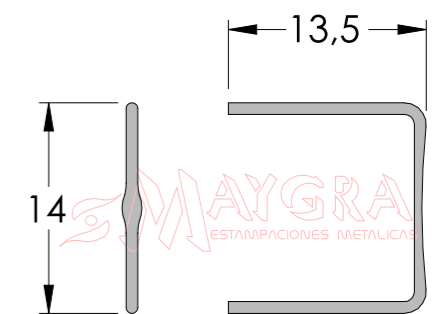
CODE: 801

LARGE WIRE CLIP
11,5 x 14 x 11,5 x 0,8



CODE: 803

LARGE WIRE CLIP WITH LONG PRONGS
13,5 x 14 x 13,5 x 0,8

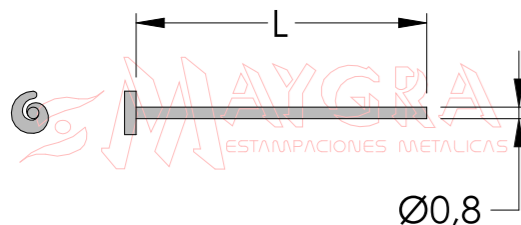


MATERIAL: BRASS **Ø WIRE:** 0,8 mm

PINS

CODE: 512/L

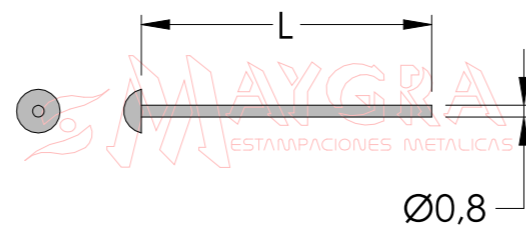
SPIRAL PIN WITH OPEN HEAD
Ø3,5 mm



L = 15 - 20 - 25 - 30 - 35 - 40 - 45 - 50

CODE: 538/L

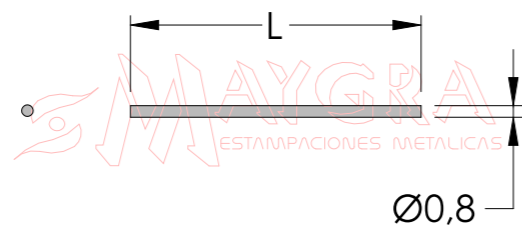
ROUND HEADED PIN
Ø 2,5 mm



L = 15 - 20 - 25 - 30 - 35 - 40 - 50

CODE: 513/L

HEADLESS PIN



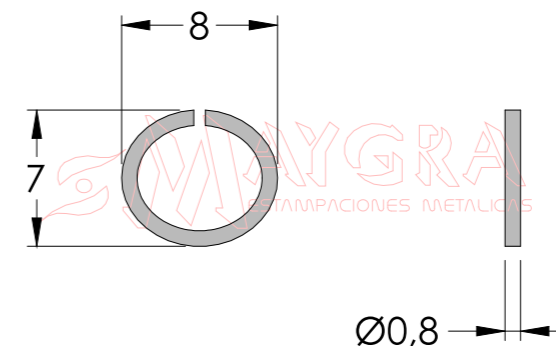
L = 10 à 120

MATERIAL: BRASS **Ø WIRE:** 0,8 mm

LOOPS

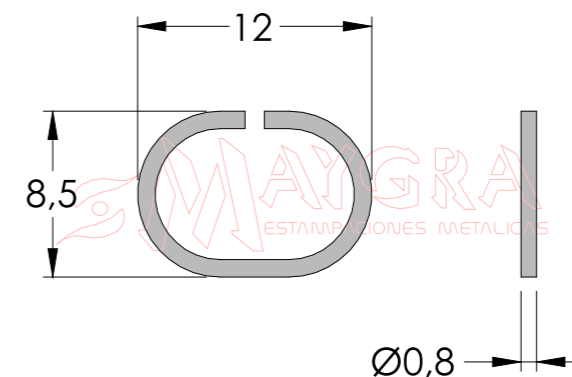
CODE: 508

OVAL LOOP 8 x 7 x 0,8



CODE: 514

LARGE OVAL LOOP 12 x 8,5 x 0,8

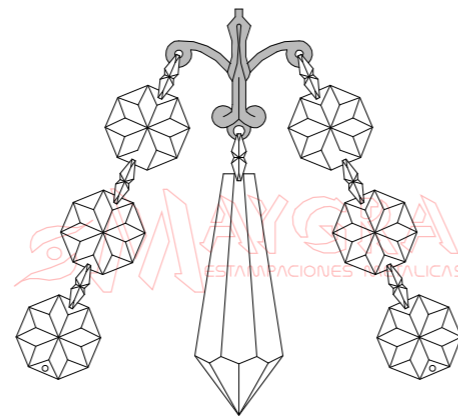
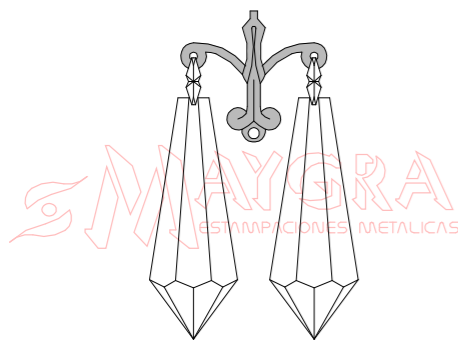
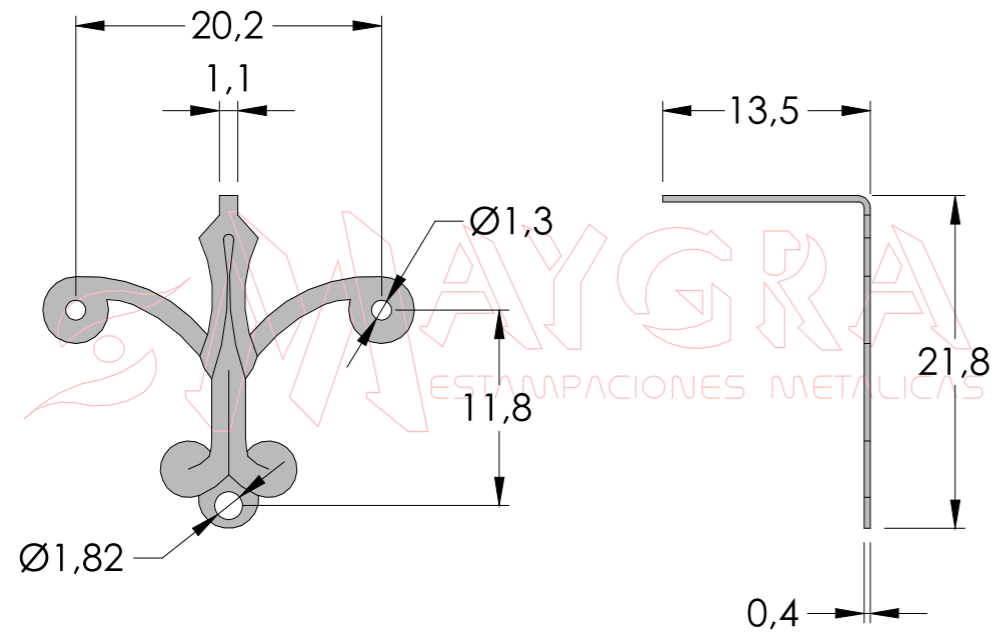


MATERIAL: BRASS **Ø WIRE:** 0,8 mm

LYS FLOWER

CODE: 660

LYS FLOWER

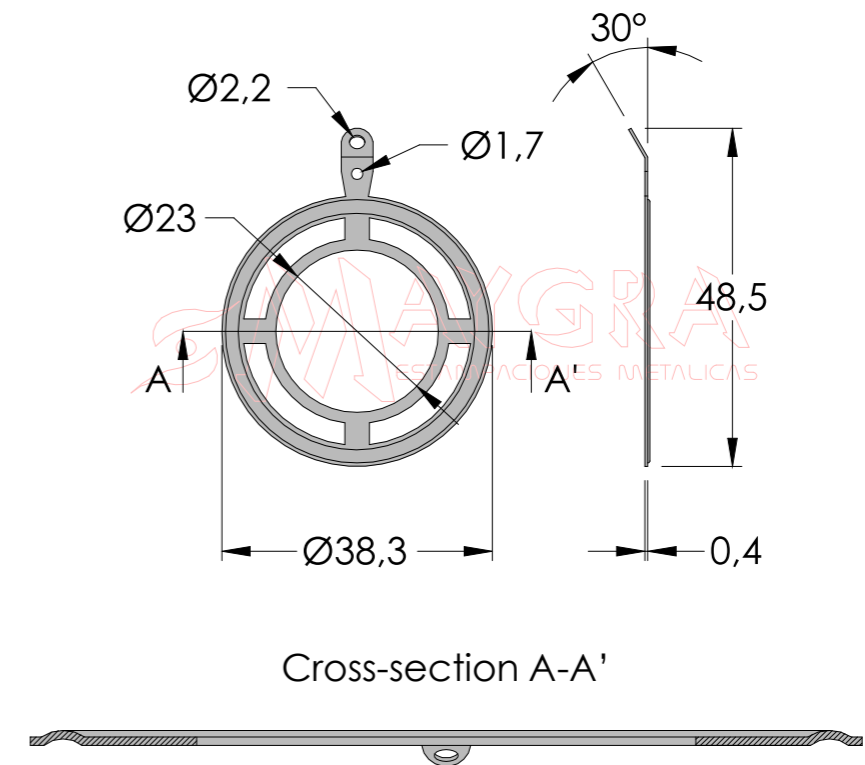


MATERIAL: STEEL **THICKNESS:** 0,4 mm
UPON REQUEST, WE CAN MAKE THE PIECES IN BRASS.

LOOP PLATE LAMP

651

LOOP PLATE LAMP



Cross-section A-A'

CODE: 651/23/1	CODE: 651/23/2	CODE: 651/23/3	CODE: 651/23/4
LOOP PLATE LAMP 1 PRONG	LOOP PLATE LAMP 2 PRONGS	LOOP PLATE LAMP 3 PRONGS	LOOP PLATE LAMP 4 PRONGS

MATERIAL: STEEL **THICKNESS:** 0,4 mm
UPON REQUEST, WE CAN MAKE THE PIECES IN BRASS.

PLEASE READ THOROUGHLY OUR TERMS OF SALE

1 - GENERAL TERMS

The client declares to know and accept the conditions of sale herein.
All sales and deliveries of goods will be carried out in accordance with the following conditions.

2 - PRICES

Reference prices may be modified at any time without previous notice.
Prices to be applied will be those prevailing on the date of the order and its confirmation.

3 - ORDERS

Orders shall be sent by email or fax.
Orders under 100,00 € will be charged a supplement of 10,00 €.
All sent goods remain the property of MAYGRA, until full payment of the purchase price.

4 - TERMS OF PAYMENT

All our commercial operations are insured by a credit insurer. If the credit is not approved, sales shall be prepaid before sending.
In agreement with the Spanish Law 15/2010 dated July 5, terms of payment shall be:

Cash payment with a 3% discount
within 60 days after invoice date
within 45 days after invoice date with two fixed days for payment
within 30 days after invoice date with one fixed day for payment

Delay caused by holidays won't be accepted.
Should the payments be received after the due date, we reserve the right to charge interest for the financing of the costs and returning shipping costs when appropriate, as closing the credit account until the full payment of the debt.

5 - DELIVERY

Should there be any anomaly, visible damage, damaged packaging or suspecting hidden damage, this shall be stated in writing on the delivery note on receiving the goods and shall be notified to MAYGRA by email or fax within 24 hours after delivery. The delivery note with the written reservations shall also be included.
Claims will not be accepted if the previous requirement is not met.

6 - GOOD RETURNS

We will accept good returns only within 15 days of the delivery.
Afterwards, MAYGRA will not accept any type of return.
Returns will not be accepted if they have not been previously and explicitly confirmed and authorized by our company.
The return will be sent in its original packaging and carriage-paid.
We will not accept any charge for handling the goods.

7 - JURISDICTION

Acceptance of delivery involves acceptance of our "terms of sale". In the event of litigation, the buyer will submit to the court of Huesca and will waive whichever other court may apply to him, in agreement with article 55 of the Spanish Civil Procedure Act.



COMPANY FOUNDED IN 1967

MATRICES Y GRABADOS, S.L.

Polígono Industrial Sepes - C/ Ganadería, parcela 35

Tel. +34 974 591 579

Mob. +34 636 268 349

Fax +34 974 225 626

22006 HUESCA (SPAIN)

www.maygra.com

comercial@maygra.com