



CATALOGUE AGRICULTURAL MACHINERY

**COLD METAL STAMPING AND DEEP DRAWING
MOULD AND DIE CONSTRUCTION
CNC PUNCHING, BENDING AND LASER CUTTING**



MATRICES Y GRABADOS, S.L.

Polígono Industrial Sepes - C/ Ganadería, parcela 35

Tel. +34 974 591 579

Mob. +34 636 268 349

Fax +34 974 225 626

22006 HUESCA (SPAIN)

www.maygra.com

comercial@maygra.com

- CONTENTS -

HARVESTER FINGER SUPPORT PIECE JOHN DEERE **3**

HARVESTER DEBURRING SHEET **3**

HARVESTER GRILLE IASA **4**

THREE POINT SPRING JOHN DEERE **4**

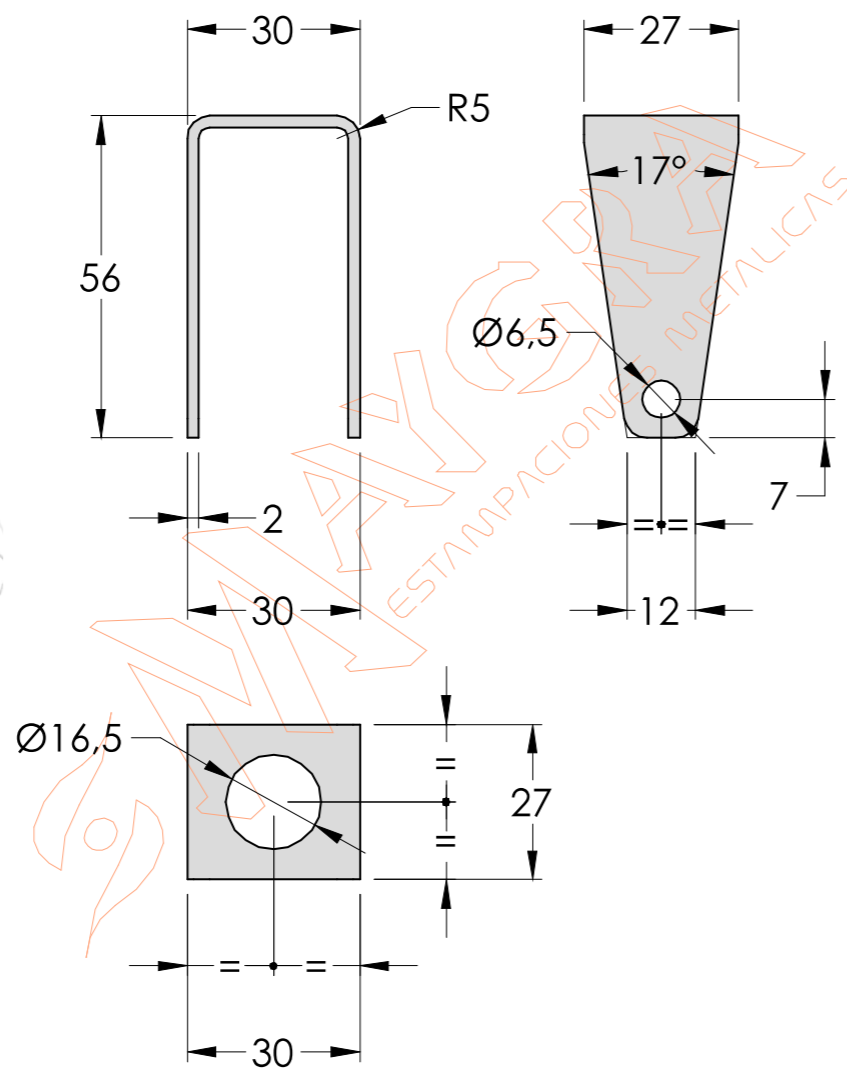
GENERAL TERMS OF SALE **5**



**IN THE CATALOGUE, ALL DIMENSIONS
ARE GIVEN IN MILLIMETERS**

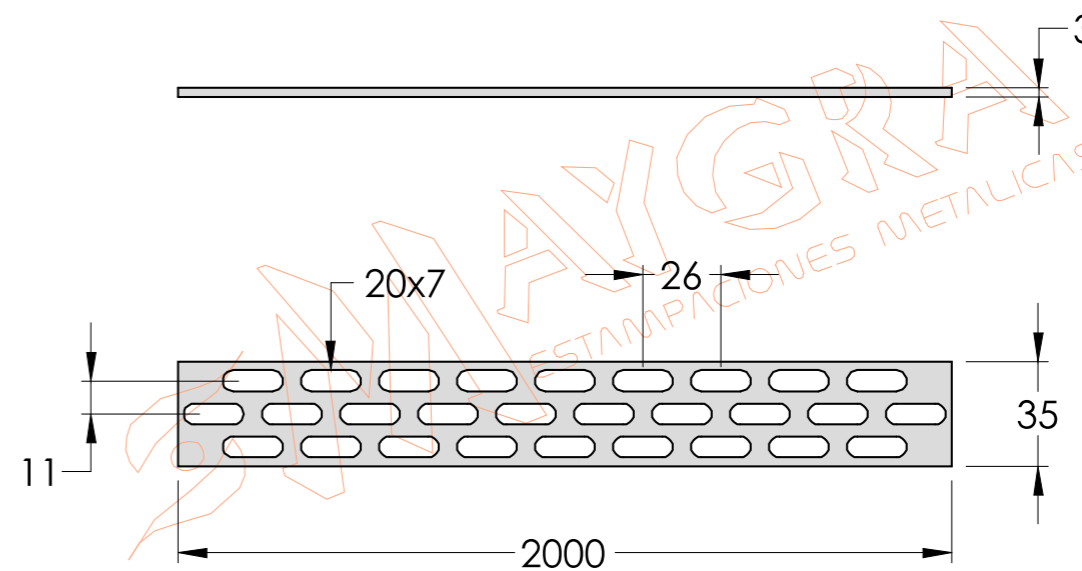
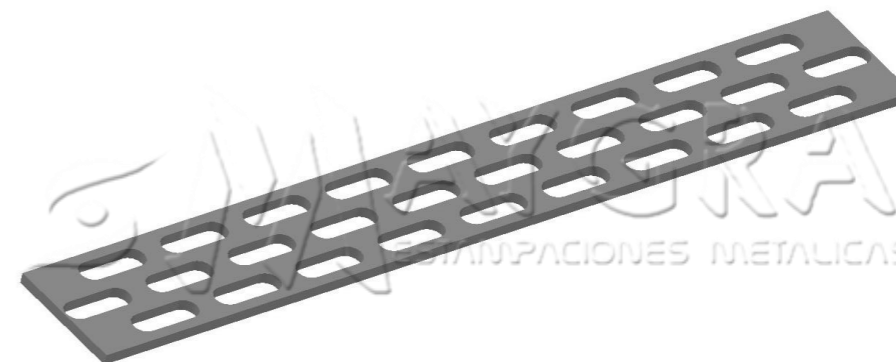


HARVESTER FINGER SUPPORT PIECE JOHN DEERE



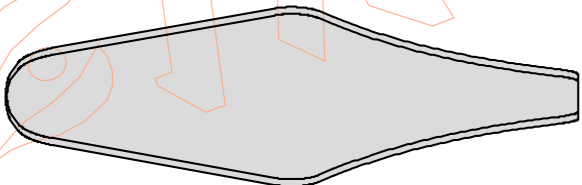
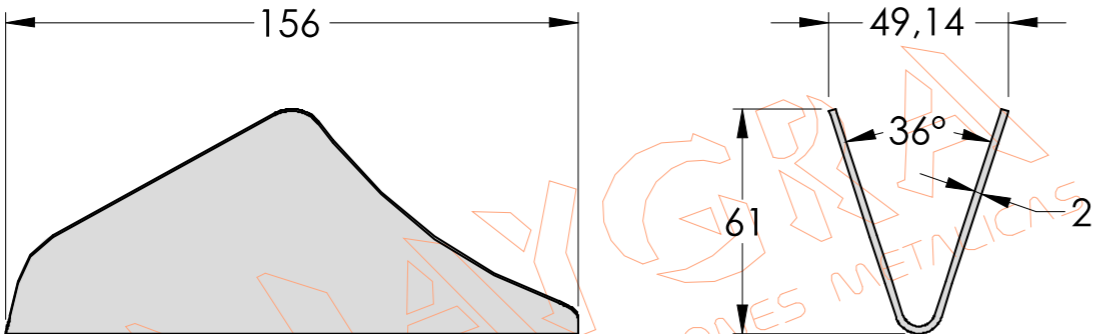
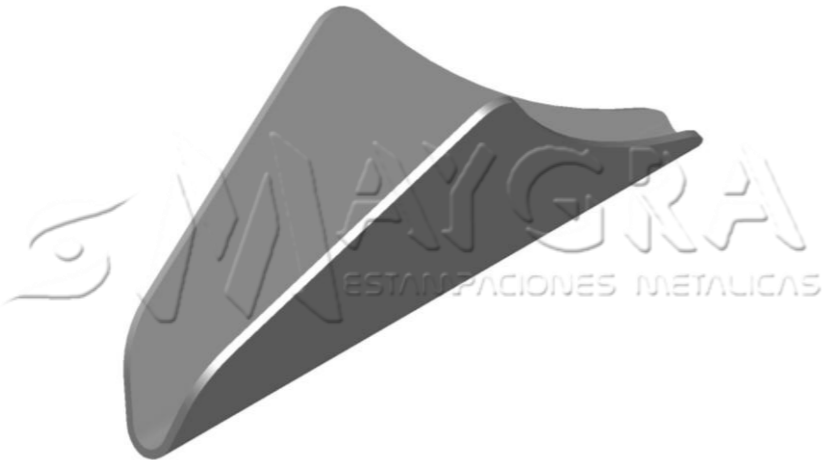
CODE	MATERIAL	THICKNESS	PACKAGING
PSD	GALVANIZED SHEET	2 mm	200 pieces

HARVESTER DEBURRING SHEET



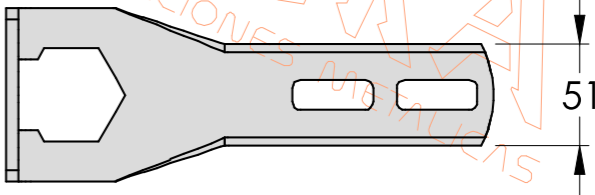
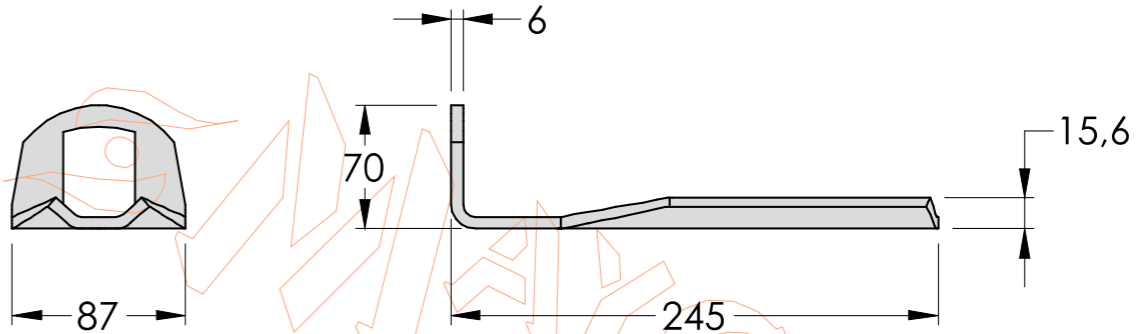
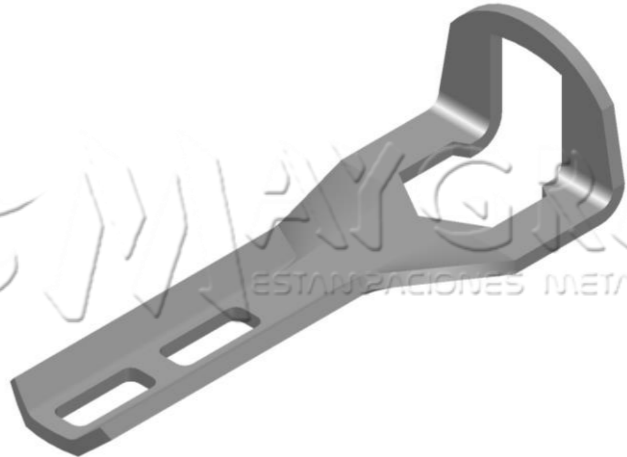
CODE	MATERIAL	THICKNESS	PACKAGING
CD	STEEL	3 mm	22 pieces

HARVESTER GRILLE IASA



CODE	MATERIAL	THICKNESS	PACKAGING
RC	STEEL	2 mm	50 pieces

THREE POINT SPRING JOHN DEERE



CODE	MATERIAL	THICKNESS	PACKAGING
MBC	STEEL	6 mm	70 pieces

PLEASE READ THOROUGHLY OUR TERMS OF SALE

1 - GENERAL TERMS

The client declares to know and accept the conditions of sale herein.
All sales and deliveries of goods will be carried out in accordance with the following conditions.

2 - PRICES

Reference prices may be modified at any time without previous notice.
Prices to be applied will be those prevailing on the date of the order and its confirmation.

3 - ORDERS

Orders shall be sent by email or fax.
Orders under 100,00 € will be charged a supplement of 10,00 €.
All sent goods remain the property of MAYGRA, until full payment of the purchase price.

4 - TERMS OF PAYMENT

All our commercial operations are insured by a credit insurer. If the credit is not approved, sales shall be prepaid before sending.
In agreement with the Spanish Law 15/2010 dated July 5, terms of payment shall be:

Cash payment with a 3% discount
within 60 days after invoice date
within 45 days after invoice date with two fixed days for payment
within 30 days after invoice date with one fixed day for payment

Delay caused by holidays won't be accepted.
Should the payments be received after the due date, we reserve the right to charge interest for the financing of the costs and returning shipping costs when appropriate, as closing the credit account until the full payment of the debt.

5 - DELIVERY

Should there be any anomaly, visible damage, damaged packaging or suspecting hidden damage, this shall be stated in writing on the delivery note on receiving the goods and shall be notified to MAYGRA by email or fax within 24 hours after delivery. The delivery note with the written reservations shall also be included.
Claims will not be accepted if the previous requirement is not met.

6 - GOOD RETURNS

We will accept good returns only within 15 days of the delivery.
Afterwards, MAYGRA will not accept any type of return.
Returns will not be accepted if they have not been previously and explicitly confirmed and authorized by our company.
The return will be sent in its original packaging and carriage-paid.
We will not accept any charge for handling the goods.

7 - JURISDICTION

Acceptance of delivery involves acceptance of our "terms of sale". In the event of litigation, the buyer will submit to the court of Huesca and will waive whichever other court may apply to him, in agreement with article 55 of the Spanish Civil Procedure Act.



COMPANY FOUNDED IN 1967

MATRICES Y GRABADOS, S.L.

Polígono Industrial Sepes - C/ Ganadería, parcela 35

Tel. +34 974 591 579

Mob. +34 636 268 349

Fax +34 974 225 626

22006 HUESCA (SPAIN)

www.maygra.com

comercial@maygra.com